
Master

Liquid Purification

High-flow purifiers



Master

Master is a series of high-efficiency, gravity-operated high-flow purifiers using TNT fabric as the filter medium.

The Master series is available in four models, capable of handling 200 to 1000 l/min of neat oil and 400 to 2000 l/min of water-based emulsion, polluted by metal and non-metal particles.

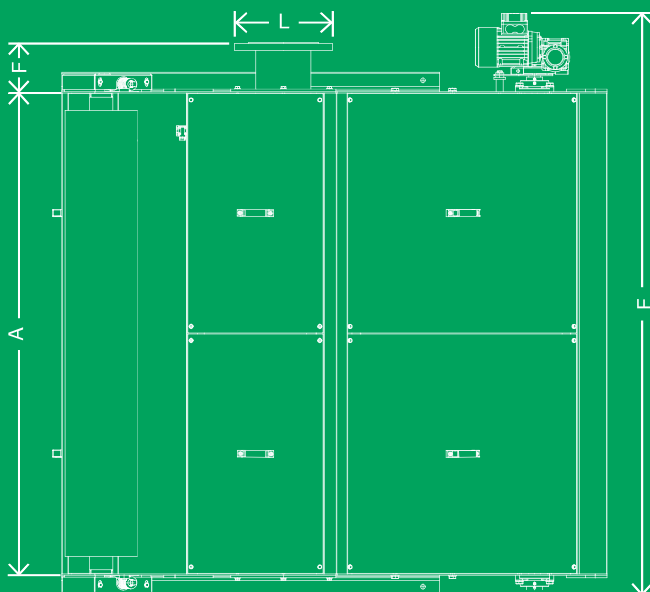
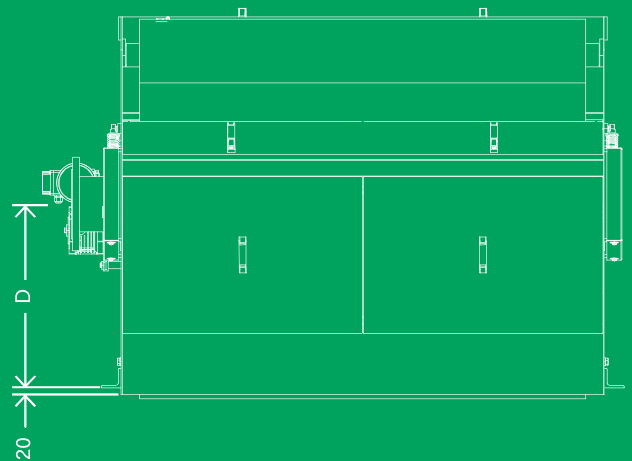
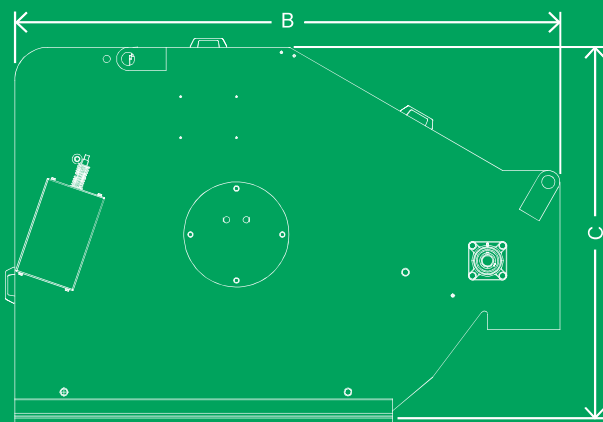
Master has a very simple operation and offers stable, consistent performance over time. This type of filter is suitable for filtering the coolant liquid used in many industrial processes: drawing, rolling, polishing, grinding, washing and other industrial processes.

Losma guarantees that each purifier is individually tested through rigorous control procedures.

A quality and functional test certificate is issued for each unit.



Technical Data





Models	Dimensions (mm)							Weight (kg)
	A	B	C	D	E	F	L	
Master AB 700	773	1660	1130	560	1020	185	DN150 PN16	1200
Master AB 1000	1073	1660	1130	560	1020	185	DN150 PN16	1500
Master AB 1400	1473	1660	1130	560	1020	185	DN150 PN16	1800
Master AB 2000	2093	1660	1130	560	1020	185	DN150 PN16	2100

Models	Flow rate l/min *			
	Roughing grinding (emulsion)	Finishing grinding (oil)	Drawing (emulsion)	Washing machines, chip removal machines (emulsion)
Master AB 700	400	200	from 400 to 800	800
Master AB 1000	600	300	from 800 to 1200	1200
Master AB 1400	800	400	from 1200 to 1600	1600
Master AB 2000	1200	600	from 1600 to 2000	2000

* Nominal flow rate data refers to emulsion with a maximum oil concentration of 5% or neat oil with a maximum viscosity of 20cst at 40°C, and with a filter cloth weighing no more than 35g/m². The different characteristics of the liquid to be treated, the type of pollutant and its concentration can considerably affect the performance of the purifier. Our technical department is at your disposal to identify the most suitable solution for your needs.

Medio Master

Medio Master is a high industrial liquid purifier, available in three models, capable of filtering 200 to 400 l/min of neat oil and 400 to 800 l/min of water-based emulsion, polluted by metal and non-metal particles.

Medio Master allows excellent filtration of coolants and lubricants according to different requirements, thanks to the use of a disposable filter medium.

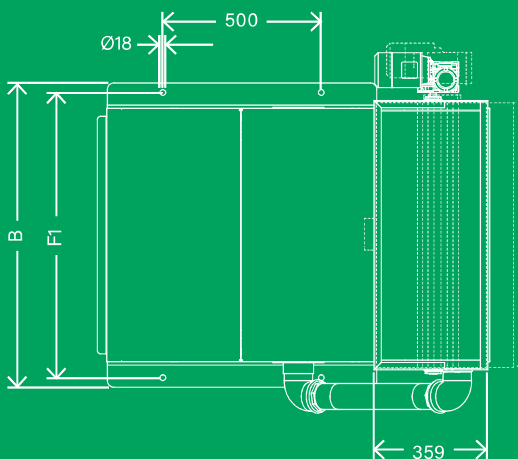
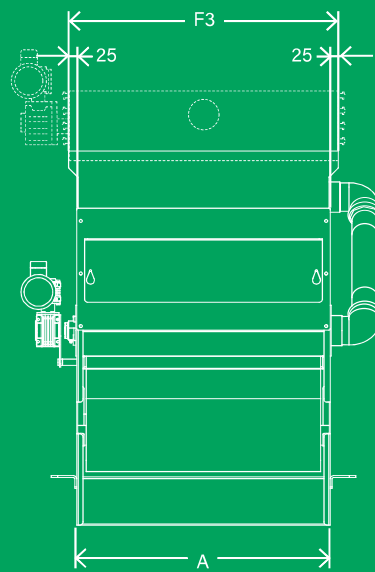
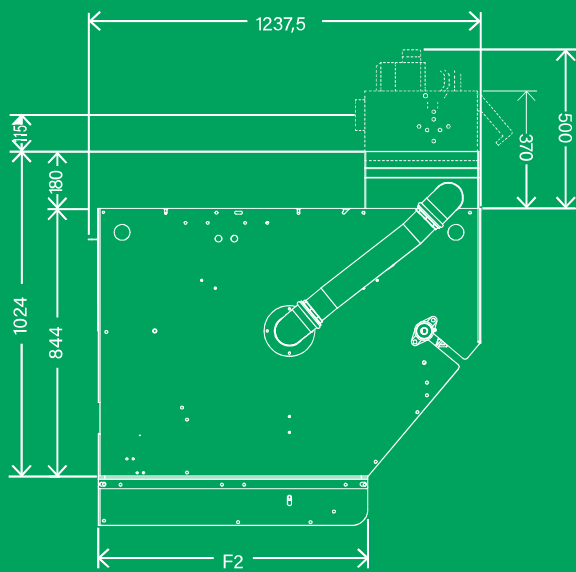
It is suitable for many industrial processes such as drawing, grinding, rolling, washing, polishing, etc.

Losma guarantees that each purifier is individually tested through rigorous control procedures.

A quality and functional test certificate is issued for each unit.



Technical Data





Models	Dimensions (mm)					Weight of filter only (kg)	Fabric width (mm)
	A	B	Filter Housing				
			F1	F2	F3		
Medio Master 600	800	960	900	850	850	250	740
Medio Master 800	1100	1260	1200	850	1150	270	1040
Medio Master 1200	1500	1660	1600	850	1550	310	1440

Models	Flow rate l/min *			
	Roughing grinding (emulsion)	Finishing grinding (oil)	Drawing (emulsion)	Washing machines, chip removal machines (emulsion)
Medio Master 600	400	200	from 400 to 600	600
Medio Master 800	600	300	from 600 to 800	800
Medio Master 1200	400	400	from 800 to 1200	1200

* Nominal flow rate data refers to emulsion with a maximum oil concentration of 5% or neat oil with a maximum viscosity of 20cst at 40°C, and with a filter cloth weighing no more than 35g/m². The different characteristics of the liquid to be treated, the type of pollutant and its concentration can considerably affect the performance of the purifier. Our technical department is at your disposal to identify the most suitable solution for your needs.

Mini Master

Mini Master is available in three models, capable of purifying 60 to 200 l/min of neat oil and 100 to 400 l/min of water-based emulsion, polluted by metal and non-metal particles.

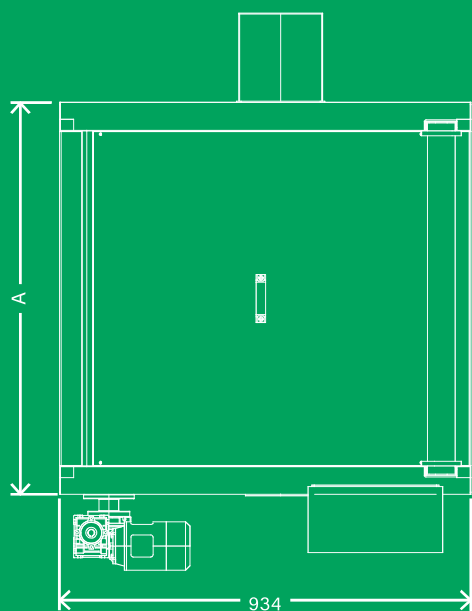
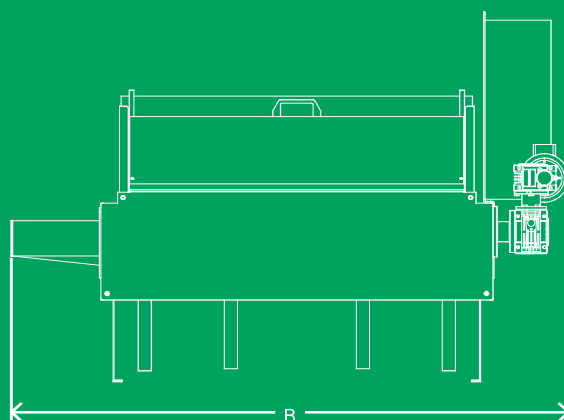
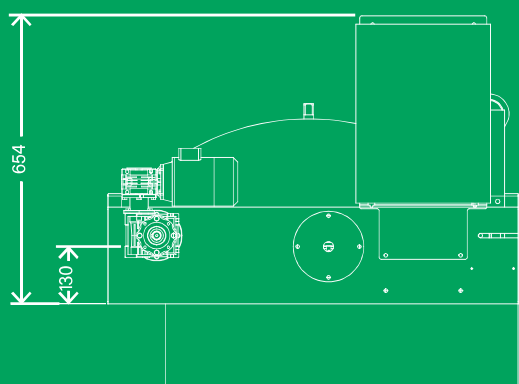
Excellent filtration capacity thanks to the disposable filter medium that can be modified as required. Characterised by a very small footprint, it is suitable for many industrial processes such as drawing, grinding, rolling, washing, polishing, etc.

Losma guarantees that each purifier is individually tested through rigorous control procedures.

A quality and functional test certificate is issued for each unit.



Technical Data





Models	Dimensions (mm)		Weight (kg)	Fabric width (mm)
	A	B		
Mini Master M	590	950	140	460
Mini Master L	890	1250	260	760
Mini Master XL	1190	1550	400	1060

Models	Flow rate l/min *			
	Roughing grinding (emulsion)	Finishing grinding (oil)	Drawing (emulsion)	Washing machines, chip removal machines (emulsion)
Mini Master M	100	60	from 100 to 150	150
Mini Master L	200	100	from 200 to 300	300
Mini Master XL	300	160	from 300 to 450	450

* Nominal flow rate data refers to emulsion with a maximum oil concentration of 5% or neat oil with a maximum viscosity of 20cst at 40°C, and with a filter cloth weighing no more than 35g/m². The different characteristics of the liquid to be treated, the type of pollutant and its concentration can considerably affect the performance of the purifier. Our technical department is at your disposal to identify the most suitable solution for your needs.

Micro Master Heavy Duty

Micro Master is a series of high-efficiency, gravity-operated, high-flow coolant lubricant purifiers using non-woven fabric as the filter medium. The Micro Master series is available in two models with flow rates from 60 to 100 l/min of neat oil and from 100 to 300 l/min of water-based emulsion, polluted by metal and non-metal particles. Micro Master is reliable and guarantees stable, consistent operation over time.

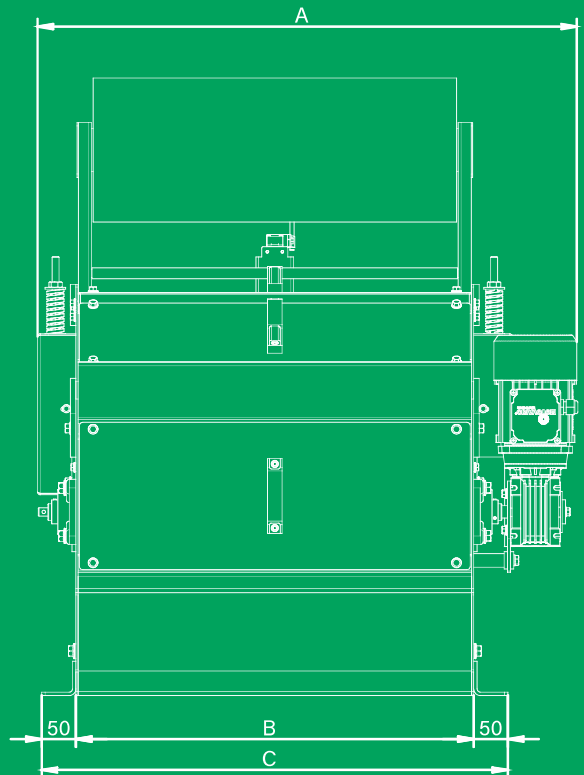
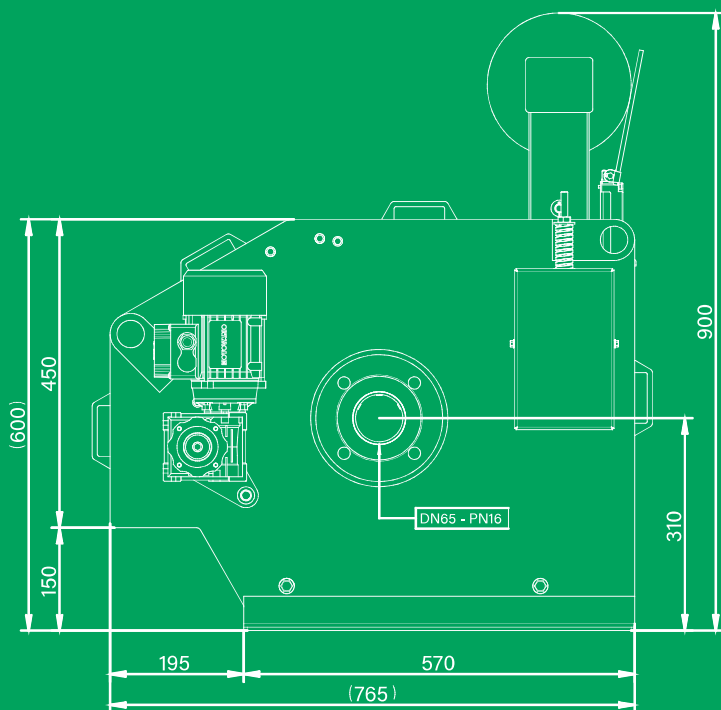
This type of filter is particularly suitable for heavy-duty machining, machining with light alloys (aluminium, brass, etc.), applications with neat oils and 24-hour machining.

Losma guarantees that each purifier is individually tested through rigorous control procedures.

A quality and functional test certificate is issued for each unit.



Technical Data





Models	Dimensions (mm)	
	A	B
Micro Master 100	790	580
Micro Master 200	990	780

Models	Flow rate l/min *			
	Roughing grinding (emulsion)	Finishing grinding (oil)	Drawing (emulsion)	Washing machines, chip removal machines (emulsion)
Micro Master 100	100	60	from 100 to 150	150
Micro Master 200	200	100	from 200 to 300	300

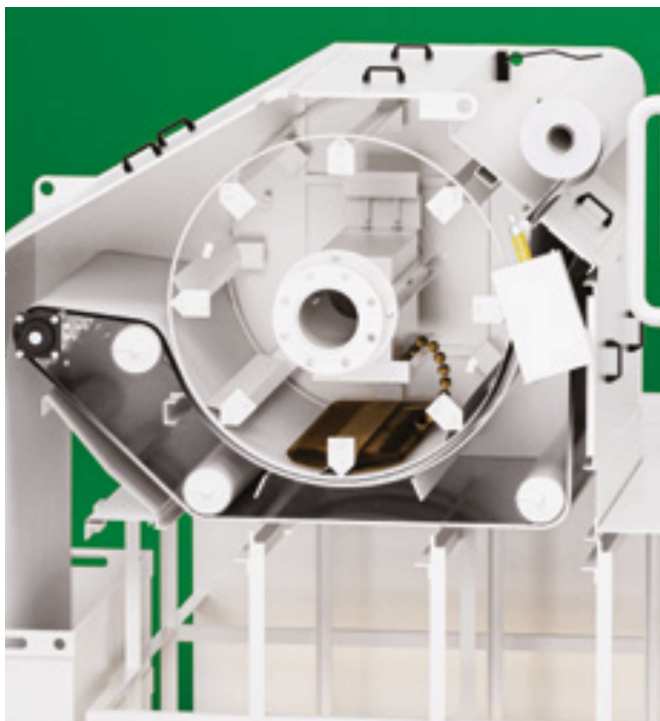
* Nominal flow rate data refers to emulsion with a maximum oil concentration of 5% or neat oil with a maximum viscosity of 20cst at 40°C, and with a filter cloth weighing no more than 35g/m². The different characteristics of the liquid to be treated, the type of pollutant and its concentration can considerably affect the performance of the purifier. Our technical department is at your disposal to identify the most suitable solution for your needs.

Operation

- In the initial phase the fabric, stretched inside the filter, is completely clean. The dirty liquid entering must pass through it into the lower tank, where it deposits the pollutants on its surface. The clean liquid then passes into the lower part where it finds the drain opening and falls into the collection tank. During this phase, the system is stationary and the belt does not advance. The pollutant material that settles there forms the actual filter layer, which in many applications can be up to 10 mm thick.
- In the intermediate phase, the filter fabric becomes dirty and its permeability is reduced because the dirty liquid continues to deposit pollutants on its surface. And so the liquid level starts to rise. The degree of filtration improves due to the thickness of sludge deposited. The system is also stationary in this phase.
- In the final phase, the liquid level has reached its maximum and the best possible degree of filtration has been achieved. The longer the filter runs in this condition, the better the average filtration will be. The system is also stationary in this phase. When the fabric is completely clogged and the liquid can no longer pass through, the regeneration cycle is started. The gear motor starts the system rotation and the dirty filter fabric is shifted with insertion of the clean one, the permeability is restored, the level drops and the system returns to the intermediate phase, starting the cycle again.

Example sequence taken from product operation video

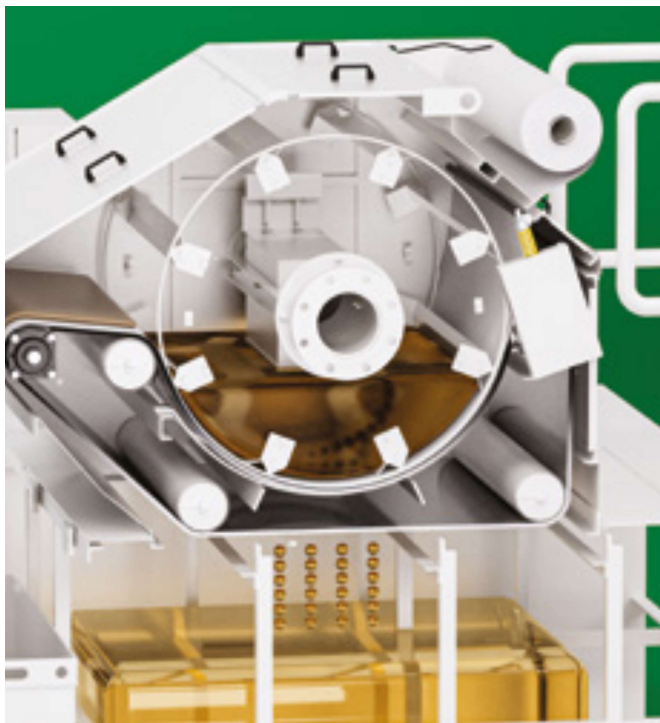
1.



2.



3.



Advantages

CHAIN SYSTEM AND SIDE SEALING DISCS

All Master series models are equipped with a corrugated metal chain which, thanks to the side sealing discs, guarantees a perfect seal of the dirty liquid in the filter section.

CUSTOMISABLE TO CUSTOMER REQUIREMENTS

The filters in this series use a disposable filter medium, which allows the degree of filtration to be varied by changing only the type of filter, always achieving excellent results.

SMALLER SIZE

Compared to flatbed filters with the same flow rate, the Master range has a considerably smaller footprint and achieves a better degrees of filtration.





Optional

1. DEMAG

Magnetic rotating disc pre-filtration system for separating magnetic pollutant particles from coolant.

2. SKIM

Eliminator of superficial oils allowing the quality of coolants to be maintained for a long time and eliminates odours generated in the presence of anaerobic bacterial flora.

3. ELECTRICAL PANEL

For supplying all utilities, controlling and managing all signals.

4. PUMPS

For clean liquid delivery from 0.1 bar to 100 bar.

5. CONTAINMENT TANK

To collect the clean liquid to be returned to the machine tool.

6. BOOSTER TANK

To collect dirty liquid for filter supply.

