

---

# Decom

---

## Liquid Purification

---

Combined purifier  
for liquid coolants



---

# Decom

Decom is a combined purifier for liquid coolants that uses filter fabric and a rotating disc magnetic purifier to separate and remove magnetic and non-magnetic polluting particles from neat and emulsified oils.

The degree of filtration is determined by the choice of fabric and varies from 10 to 50 micrometres, ensuring a very high degree of purification.

Decom is capable of purifying 50 to 400 l/min of emulsified oil and 25 to 200 l/min of neat oil.

Losma guarantees that each purifier is individually tested through rigorous control procedures.

A quality and functional test certificate is issued for each unit.



---

# Operation

The contaminated liquid passes through the magnetic disc pre-filter, which removes the magnetic polluting particles (particularly the large sized ones).

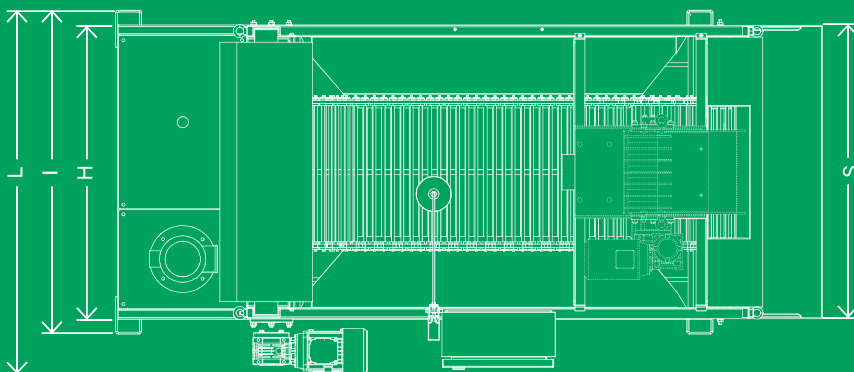
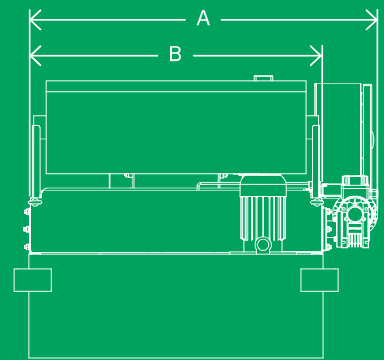
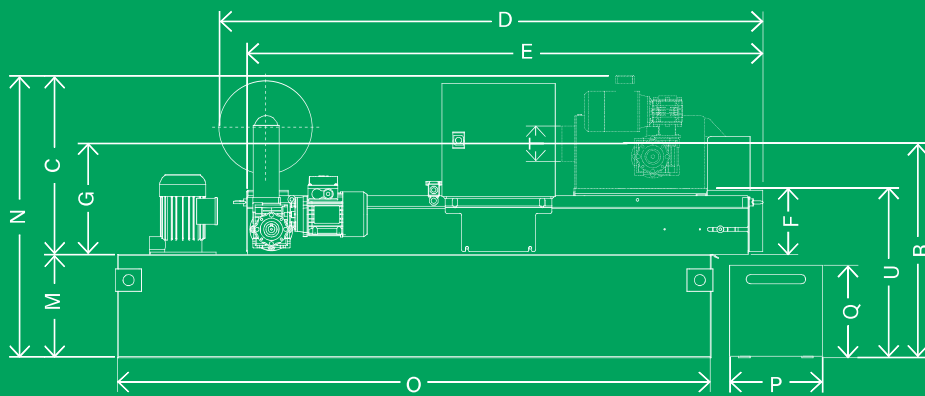
The liquid is then conveyed and distributed over the filter fabric, which retains non-magnetic polluting particles and any small magnetic particles, allowing the clean coolant to flow out.

Magnetic pre-filtration allows the filter fabric to be economised.





# Technical Data



Models	Dimensions (mm)																		
	A	B	C	D *	E	F	G	H	I	L	M	N	O	P	Q	R	S	T	U
Decom 30	630	480	430	815	750	178	298	400	480	630	200	630	825	200	170	500	480	2"	378
Decom 50	750	590	480	1115	1040	178	298	593	673	780	280	760	1250	250	250	578	590	3"	458
Decom 100	950	790	480	1465	1390	178	298	793	873	980	280	760	1600	250	250	578	790	3"	458
Decom 150	1250	1090	480	1665	1590	178	298	1093	1173	1280	280	760	1800	250	250	578	1090	3"	458
Decom 200	1250	1090	480	2115	2040	178	298	1093	1173	1280	280	760	2250	250	250	578	1090	3"	458
Decom 250	1250	1090	480	2615	2540	178	298	1093	1173	1280	280	760	2750	250	250	578	1090	3"	458
Decom 300	1250	1090	480	3115	3040	178	298	1093	1173	1280	280	760	3250	250	250	578	1090	3"	458
Decom 400	1250	1090	480	4115	4040	178	298	1093	1173	1280	280	760	4250	250	250	578	1090	3"	458
Decom L 400	1640	1466	480	3115	3040	178	298	1470	1550	1650	380	860	3170	250	350	678	1430	3"	558
Decom L 500	1640	1466	480	3615	3540	178	298	1470	1550	1650	380	860	3670	250	350	678	1430	3"	558

\* 250 mm Non-Woven Cloth Roll

Models	Tank Capacity (L)	Max emulsion flow rate (l/min) **	Max neat oil flow rate (l/min)	Electric Pump Head (bar)	Tot. Installed Power (kW)		Absorbed current		Absorbed current		Weight (Kg)
					50 Hz	60 Hz	230 V - 50 Hz	265 V - 60 Hz	400 V - 50 Hz	460 V - 60 Hz	
Decom 30	51	30	15	0,2	0,29		1,38		0,80		70
Decom 50	167	50	25	0,2	0,29		1,38		0,80		90
Decom 100	287	100	50	0,2	0,50		2,13	2,03	1,23	1,17	135
Decom 150	445	150	75	0,2	0,64		2,48	2,30	1,43	1,33	195
Decom 200	557	200	100	0,2	1,12		4,07	3,72	2,35	2,15	235
Decom 250	656	250	125	0,2	1,32		4,66	4,21	2,69	2,43	275
Decom 300	805	300	150	0,2	1,27		4,15		2,39		285
Decom 400	1050	400	200	0,2	1,59		5,65		2,39		380
Decom L 400	1210	450	225	0,2	1,28	2,38	5,51	7,81	3,17	4,53	nn
Decom L 500	1400	500	250	0,2	1,28	2,38	5,51	7,81	3,17	4,53	nn

\*\* Nominal flow rate data refers to emulsion with a maximum oil concentration of 5% or neat oil with a maximum viscosity of 20cst at 40°C, and with a filter cloth weighing no more than 35g/m2. The different characteristics of the liquid to be treated, the type of pollutant and its concentration can affect the performance of the purifier. Our technical department is at your disposal to identify the most suitable solution for your needs.